

2631 Nicola Ave  
Tulameen B.C

Lot 6, Block 19  
District Lot 128  
Yale Div of Yale Land District  
Tulameen Townsite

Site Area: 6000 sq. feet  
Proposed Boat Shed Area: 550 sq. feet

# C.Maxwell

Client: Kevin Back

Project: Boat Shed

Title: Site Plan and Project Data

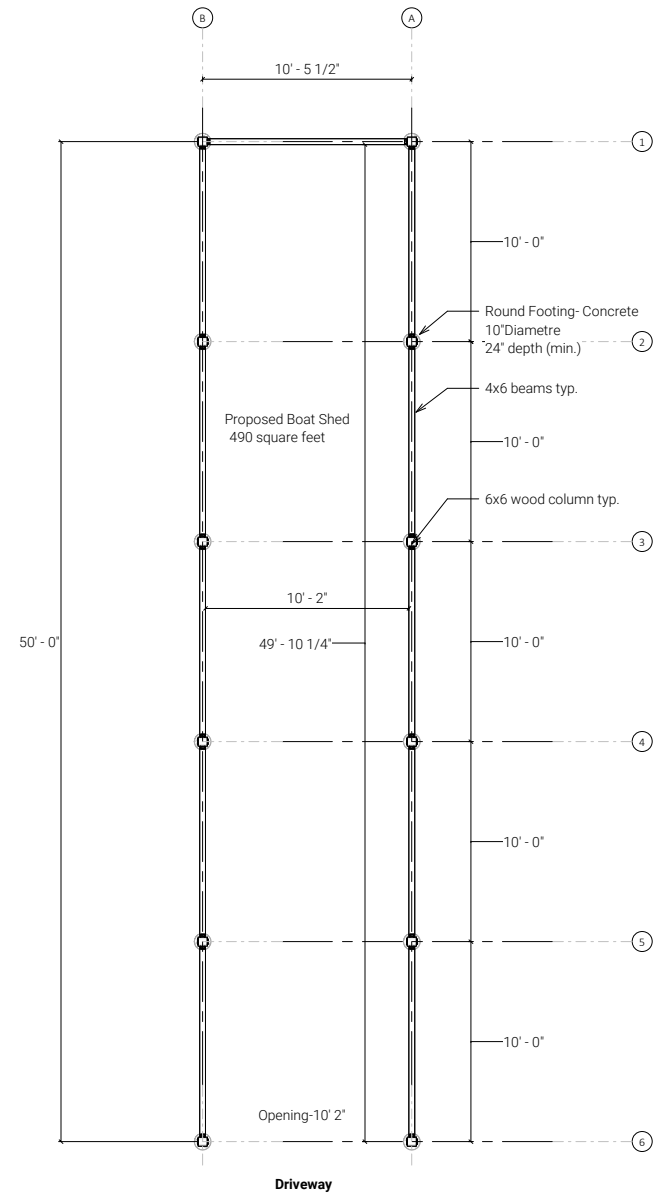
Project Number:

Scale: 1 : 200

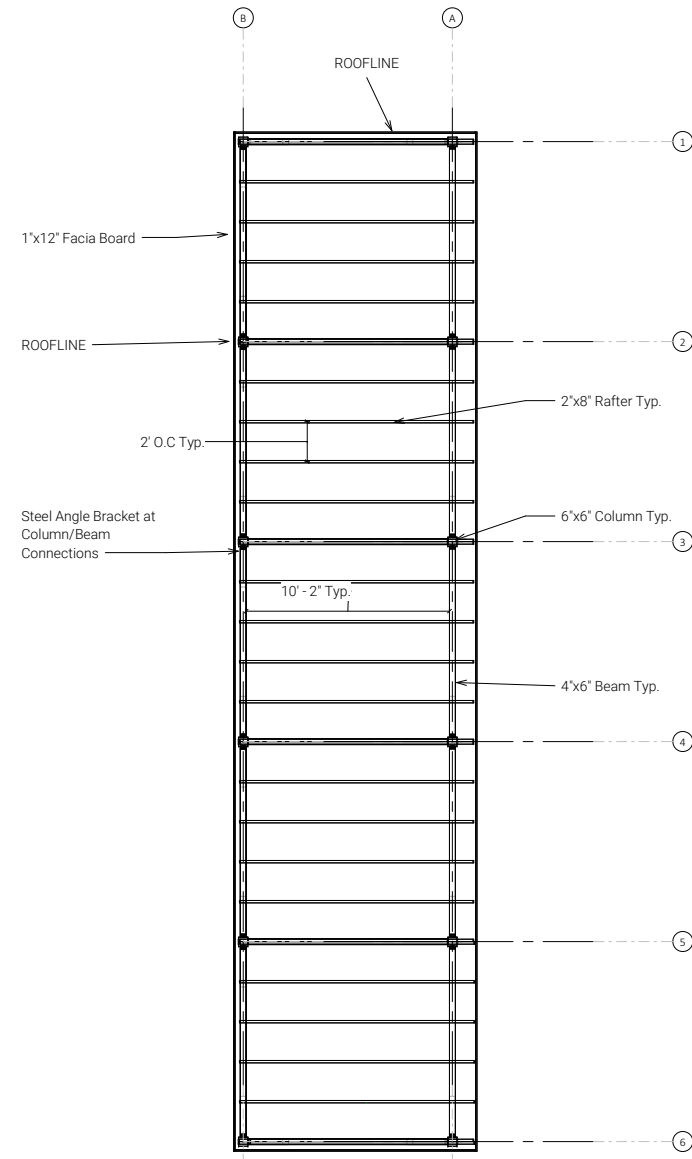
Date: 2021-05-06 9:13:53 AM

1

Notes:



① Ground  
1/4" = 1'-0"



② Framing  
1/4" = 1'-0"

**C.Maxwell**

Client: Kevin Back

Project: Boat Shed, 2631 Nicola  
Drive, Tulameen, B.C

Title: Ground Plan and Framing

Scale: 1/4" = 1'-0"

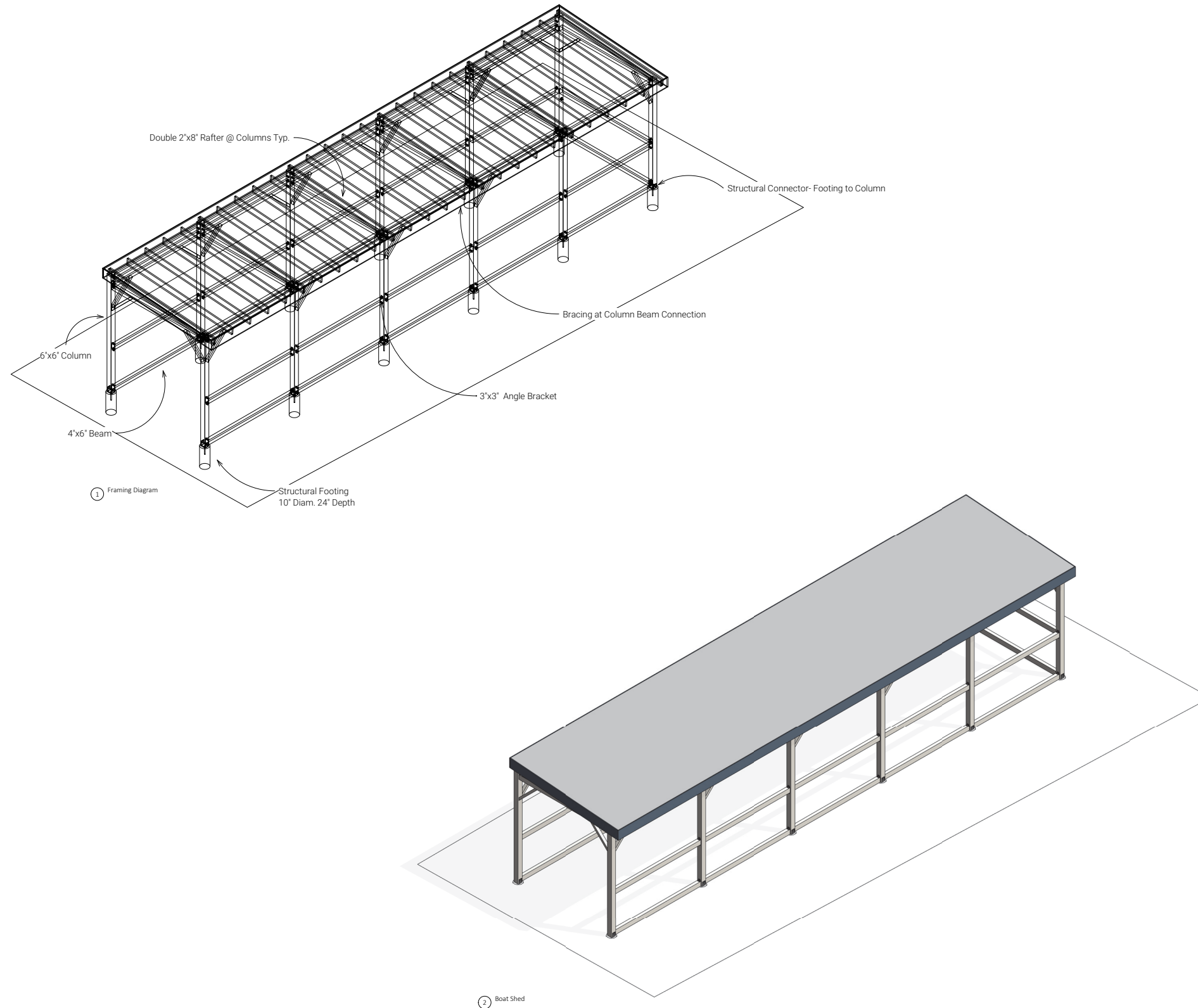
Date: 2021-05-05 9:38:45 AM

Notes:

Project Number:

01

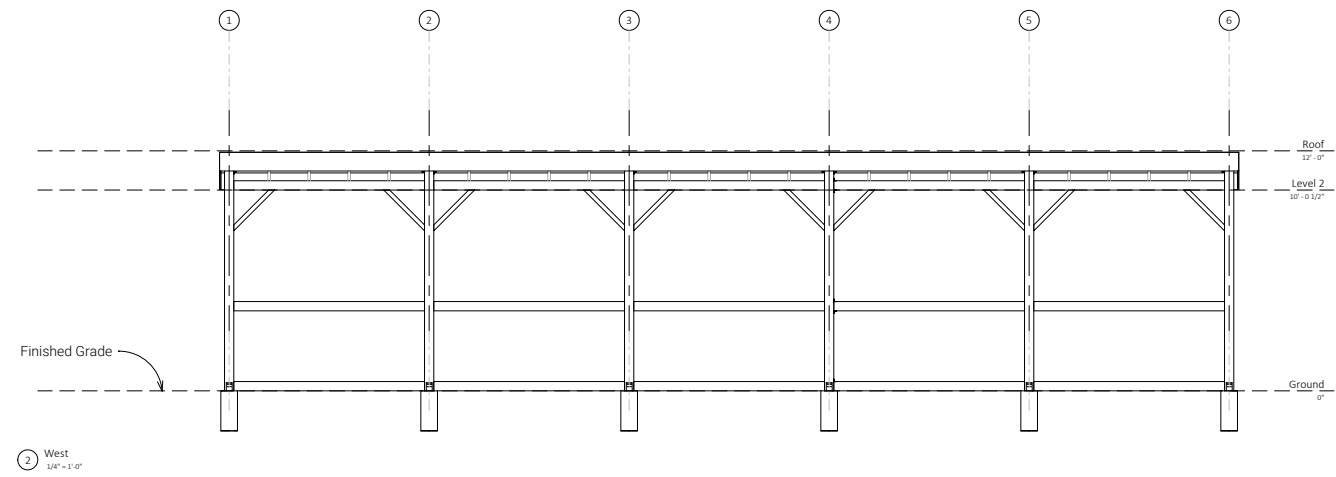
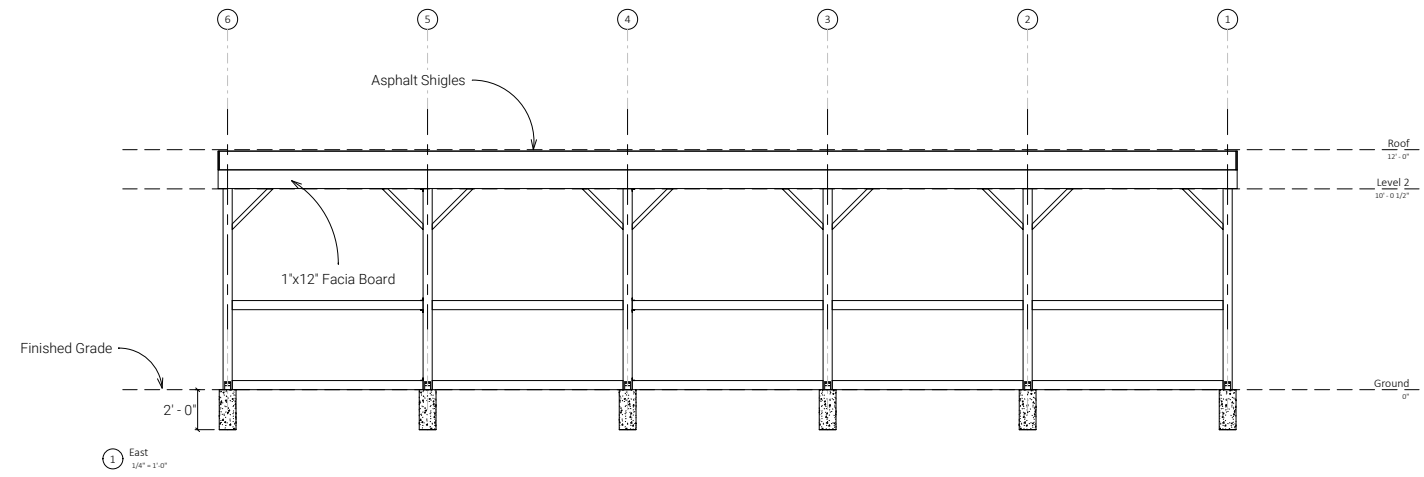
Boat Shed, 2631 Nicola Drive,  
Tulameen, B.C



**C.Maxwell**

Client:	Kevin Back		
Project:	Boat Shed, 2631 Nicola Drive, Tulameen, B.C		
Title:	Framing Diagram	Project Number:	
Scale:			
Date:	2021-05-05 9:41:36 AM		<b>01</b>
Notes:			

Boat Shed, 2631 Nicola Drive,  
Tulameen, B.C



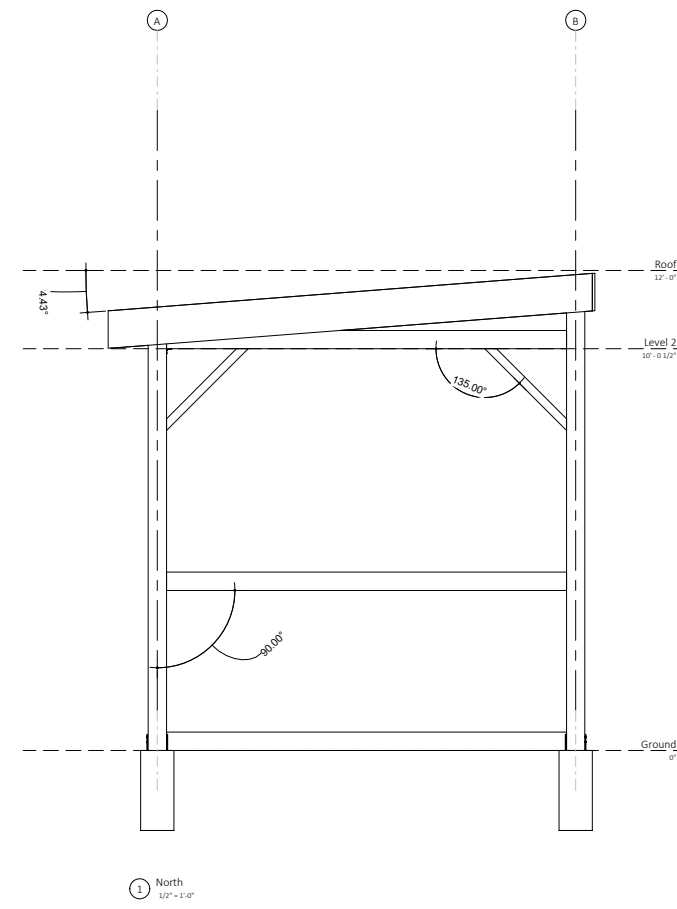
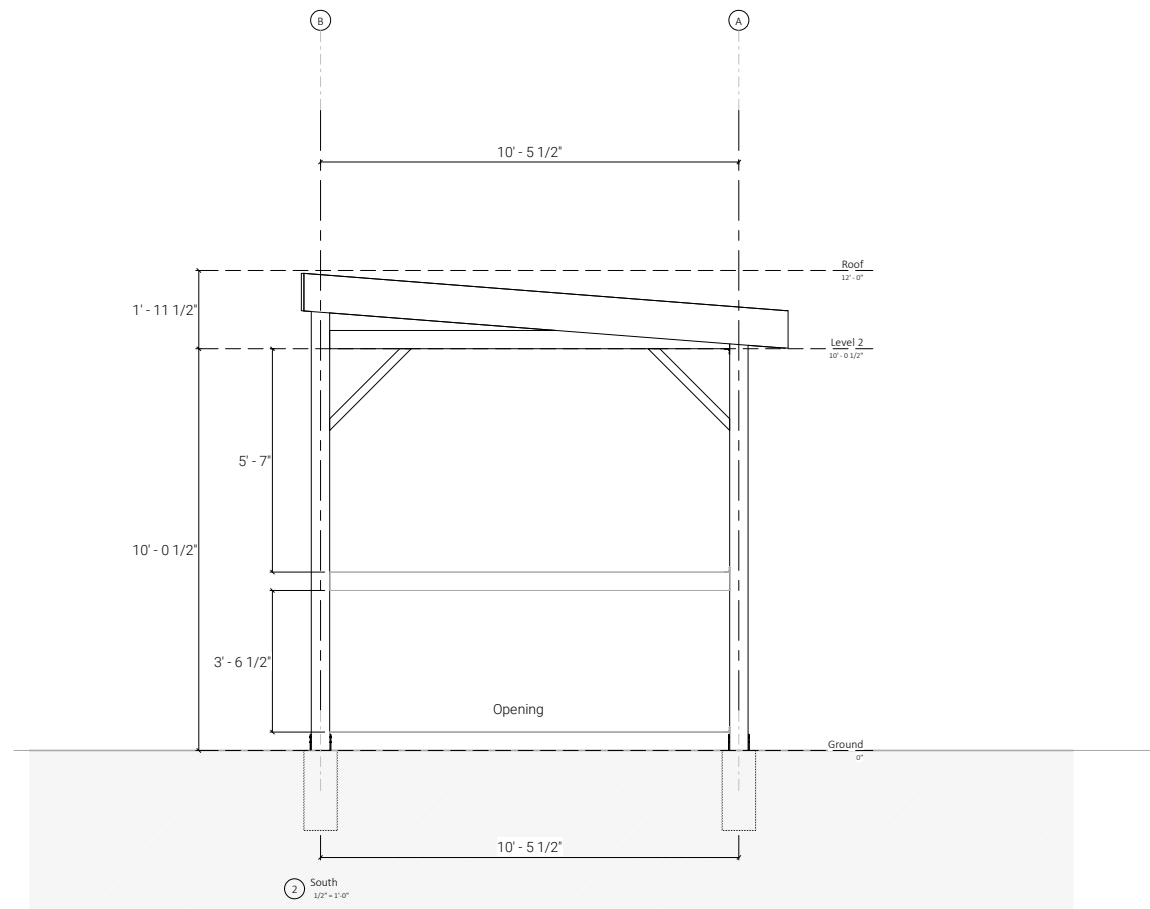
**C.Maxwell**

Client: Kevin Back

Project: Boat Shed, 2631 Nicola  
Drive, Tulameen, B.C

Title: Elevations	Project Number:
Scale: 1/4" = 1'-0"	01
Date: 2021-05-05 9:47:47 AM	
Notes:	

Boat Shed, 2631 Nicola Drive,  
Tulameen, B.C

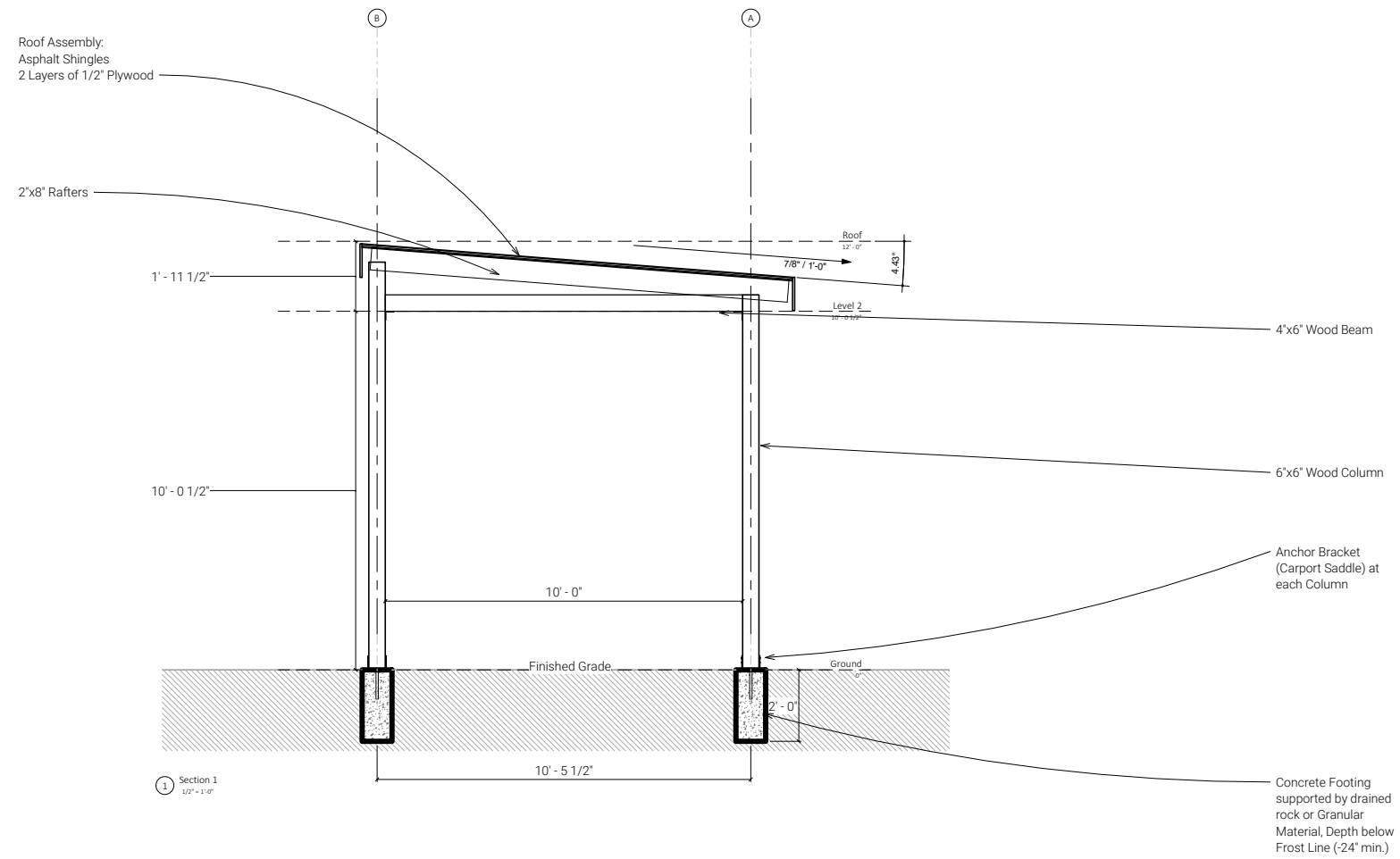


**C.Maxwell**

Client: Kevin Back  
Project: Boat Shed, 2631 Nicola Drive, Tulameen, B.C

Title: Elevation 2	Project Number:
Scale: 1/2" = 1'-0"	01
Date: 2021-05-05 10:03:57 AM	

Notes:



**C.Maxwell**

Client: Kevin Back

Project: Boat Shed, 2631 Nicola  
Drive, Tulameen, B.C

Title: Section

Project Number:

Scale: 1/2" = 1'-0"

**01**

Date: 2023-05-05 10:17:27 AM

Notes: