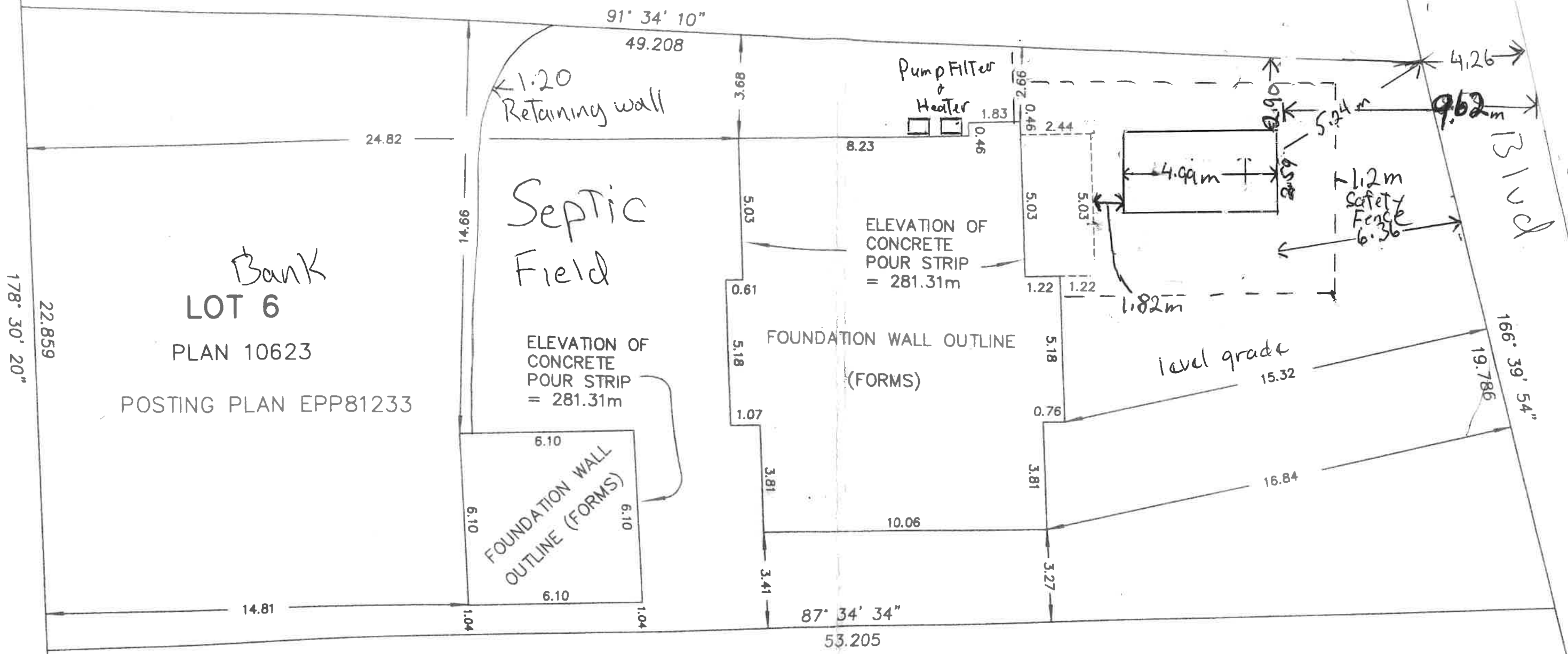


LOT 7  
 PLAN 10623  
 POSTING PLAN M29356



PENDERGRAFT PROFESSIONAL  
 LAND SURVEYING INC.  
 BOX 640  
 OSOYOOS, B.C. ©  
 VOH 1VO  
 PHONE: (250) 495-7127  
 email: brad@pendergrafterveysing.ca  
 OUR FILE NO. 1172748B MC1.DWG  
 DC FILE NO. SEWER111

5.  
 022.  
 ED

**GENERAL NOTES**

THE CERTIFICATION OF THE SWIMMING POOLS COVERED BY THIS DRAWING REQUIRE:

1. INSTALLATION IN ACCORDANCE WITH THE INSTRUCTIONS LAID OUT WITHIN THIS DRAWING, PEMLS062.01, REDACTED DRAWINGS NO. 04225/MOR, AS/NZS 1839:1994, THE BRITISH COLUMBIA BUILDING CODE, LOCAL BUILDING CODES, THE CODES OR REQUIREMENTS OF ALL OTHER AUTHORITIES HAVING JURISDICTION, AND WELL ESTABLISHED STANDARDS OF WORKMANSHIP
2. CLEAN DRY SAND WITH A MOISTURE CONTENT OF NO MORE THAN 10% TO BE USED AS BACKFILL.
3. THAT THE POOL NOT BE DAMAGED WITHOUT PROPER PRECAUTIONS BEING TAKEN TO PREVENT DISPLACEMENT OF THE WALL.

**GRP SHELL MANUFACTURE**

- A. THE FIBREGLASS SHELL SHALL BE MANUFACTURED IN ACCORDANCE WITH AS 1838 (PREMOULDED FIBRE REINFORCED PLASTIC SWIMMING POOLS)
- B. MATERIALS:
  - (a). RESINS SHALL BE TYPE B POLYESTER (U.N.O.)
  - (b). REINFORCEMENT SHALL BE CLASS 'E' GLASS FIBRE, MIN. GLASS CONTENT OF TOTAL SHELL THICKNESS - 30% BY WEIGHT
- C. SHELL SHALL BE SPRAY MOULDED WITH:
  - (a). 0.02' GEL COAT (NPG)
  - (b). 0.05 - 0.06' BARRIER COAT (VINYL ESTER)
  - (c). STRUCTURAL LAYER WHICH WILL GIVE TOTAL BARRIER/STRUCTURAL THICKNESS NOMINATED ON DRAWING
  - (d). 0.008' FLO COAT
- D. ALL LAYERS SHALL BE ROLLED OUT TO COMPLETELY BOND REINFORCING & RESINS & EXPEL AIR
- E. STRUCTURAL LAMINATE SHALL HAVE:
  - (a). FLEXURAL STRENGTH OF 11000psi
  - (b). TENSILE STRENGTH OF 6100 psi
  - (c). MODULUS ELASTICITY OF 632000 psi

**FOUNDATIONS**

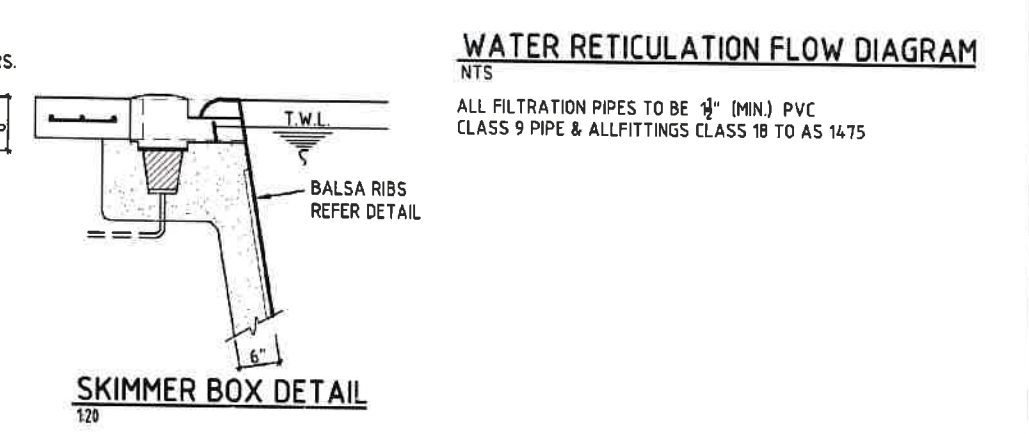
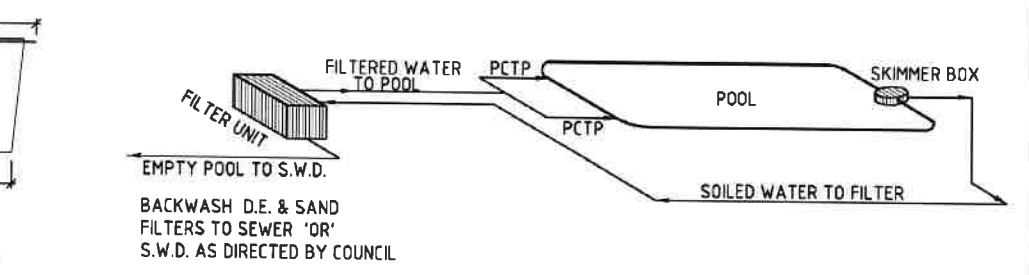
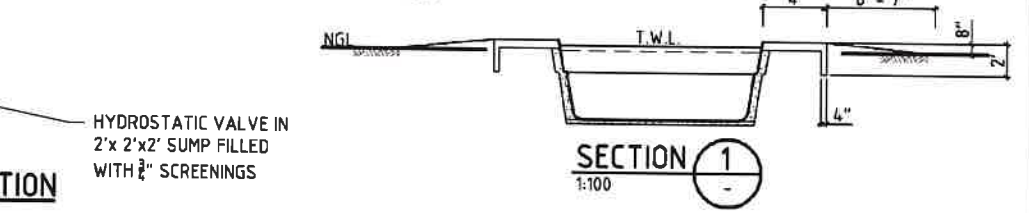
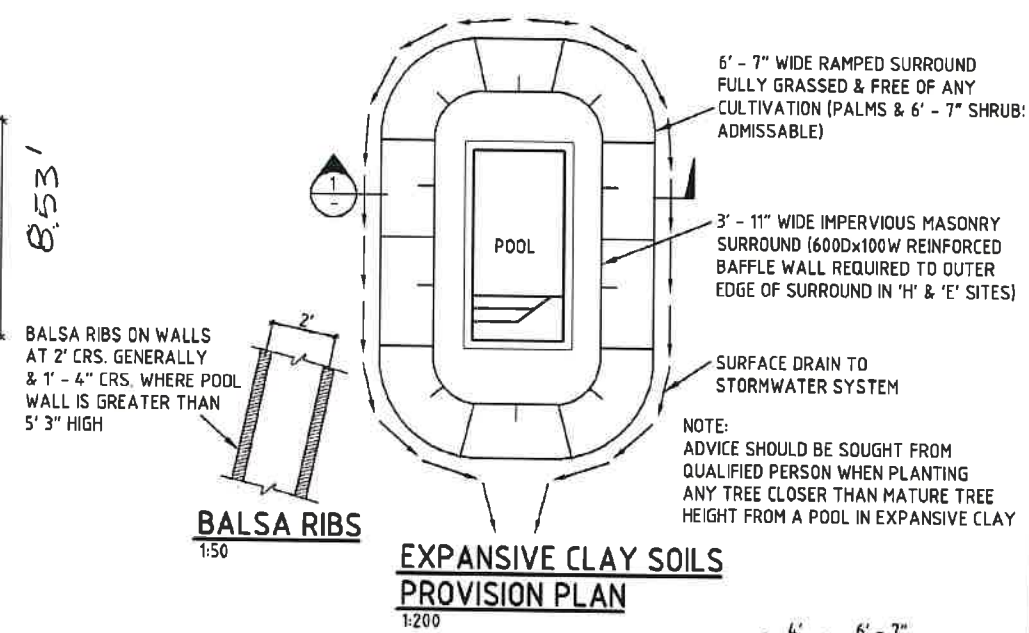
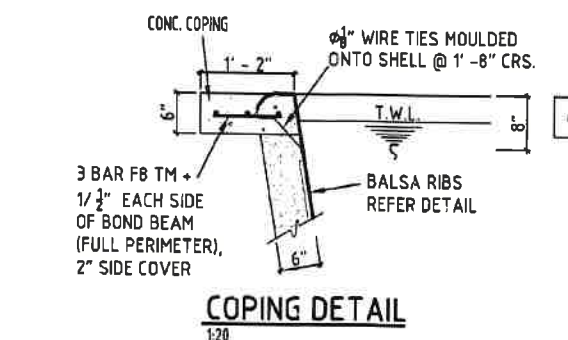
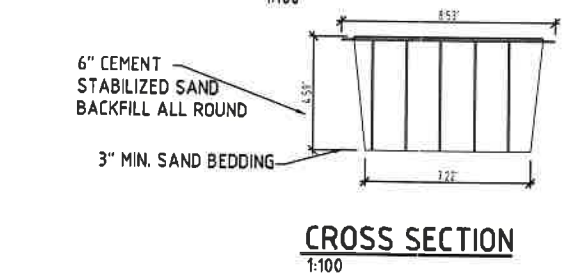
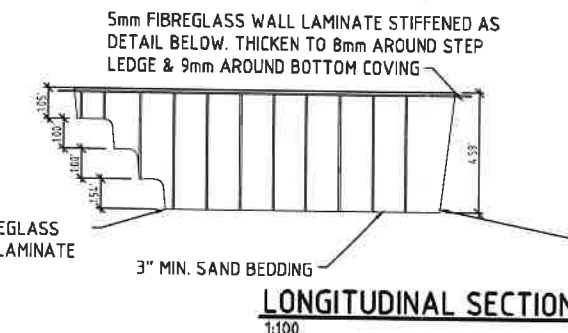
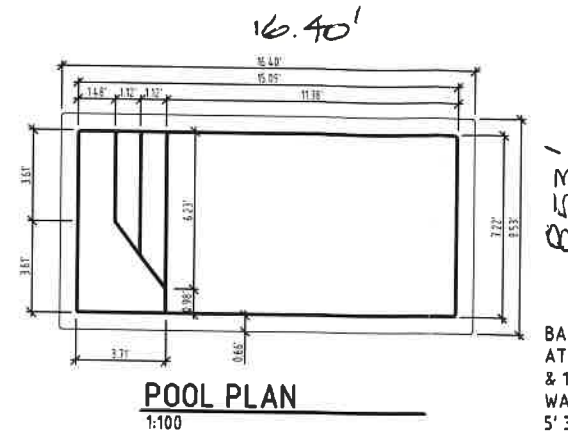
- A. POOL HAS BEEN DESIGNED FOR FULLY-IN-GROUND INSTALLATION. IF COPING IS GREATER THAN 6" ABOVE SURROUNDING GROUND REFER TO 'OUT OF GROUND CONSTRUCTION DETAIL', INSTALL SUBDRAINS AS REQ'D. IN BATTERS ABOVE POOL TO RELIEVE HYDROSTATIC PRESSURE
- B. THE POOL IS SUITABLE FOR INSTALLATION IN ROCK, SAND, GRAVEL & STIFF CLAY. WHERE POOL IS TO BE INSTALLED IN VERY SOFT CLAY, SILTY CLAY OR SILTS, ENGINEERING ADVICE SHALL BE OBTAINED TO CATER FOR LATERAL PRESSURE.
- C. ALL TOPSOIL & ORGANIC MATTER UNDER POOL FLOOR IS TO BE REMOVED. THE DESIGN REQUIRES THAT THE FOUNDATION MATERIAL IS TO BE UNIFORM SOUND NATURAL GROUND WITH A MINIMUM BEARING CAPACITY OF 5100 000 psi.
- D. FOR INSTALLATION OF POOL IN EXPANSIVE SOIL, REFER 'EXPANSIVE CLAY PROVISIONS PLAN' DETAIL

**INSTALLATION**

- A. THE POOL SHALL BE INSTALLED IN ACCORDANCE WITH THE REQUIREMENTS OF AS 1839 & THIS SPECIFICATION.
- B. WALLS SHALL BE BACKFILLED WITH 10:1 SAND:CEMENT MIX PLACED AT A RATE TO MATCH POOL FILLING & DAMPENED AFTER COMPLETION.
- C. CONCRETE TO CONCOURSE SHALL BE 200 psi MIN. WITH 25/32" AGGREGATE & 3 1/4 ± 9/16" SLUMP - TYPE A CEMENT, COMPACT CONCRETE THOROUGHLY AROUND SKIMMER & UNDER COPING FLANGE.
- D. REINFORCING STEEL::
  - 1/2" DEFORMED BAR TO AS 1838
  - RF62 - WELDED WIRE FABRIC TO AS 1304
- E. TOLERANCES SHALL BE IN ACCORDANCE WITH AS 1838
- F. PLUMBING SHALL BE φ 1 1/2" PRESSURE LINES & 2' SUCTION LINES CLASS 9 PIPE & CLASS 18 FITTINGS. PRIME ALL JOINTS BEFORE APPLYING SOLVENT.

**OPERATION**

- A. THE POOL SHELL MAY BE DAMAGED IF THE POOL WATER IS DROPPED BELOW NORMAL OPERATING LEVEL. CONSULT THE INSTALLATION CONTRACTOR PRIOR TO EMPTYING THE POOL.



**WATER RETICULATION FLOW DIAGRAM**  
NTS  
ALL FILTRATION PIPES TO BE 1/2" (MIN.) PVC CLASS 9 PIPE & ALL FITTINGS CLASS 18 TO AS 1475

REVISIONS:

NO.	DESCRIPTION	DATE
1	ISSUED FOR BLDG. PERMIT	02/23/2024

**SEL Engineering Limited**  
Consulting Engineers  
5071, 3009 87. JOHN STREET  
PORT MOODY, BC V3H 2C4  
TELEPHONE: 604.463.3723  
FACSIMILE: 604.463.3707  
E-MAIL: SEL@SELNG.COM

SEAL:  
PROFESSIONAL ENGINEER  
C. CHEN  
2024-02-13  
(PERMIT NUMBER: 1002854)

© COPYRIGHT RESERVED. THIS PLAN AND DESIGN ARE AND AT ALL TIMES THE EXCLUSIVE PROPERTY OF SEL ENGINEERING LIMITED. REPRODUCTION OR USE WITHOUT WRITTEN CONSENT IS PROHIBITED. CONTRACTOR SHALL VERIFY AND BE RESPONSIBLE FOR ALL DIMENSIONS AND CONDITIONS ON PROJECT AND THIS OFFICE SHALL BE INFORMED OF ANY VARIATIONS FROM DIMENSIONS AND CONDITIONS SHOWN ON THE DRAWING. DO NOT SCALE DRAWING.

PROJECT TITLE:  
NEW POOL AT:  
2002 85TH STREET, O6YO08, BC.

DRAWING TITLE:  
GENERAL NOTES, PLAN AND DETAILS ( FIBREGLASS SUMMING POOL)

DESIGNED BY:	CMC
CHECKED BY:	CMC
DRAWN BY:	SHS
PROJECT NO.:	C24---
DATE:	01/24/2024
SCALE:	AS SHOWN
DRAWING NO.:	

**SP-1**